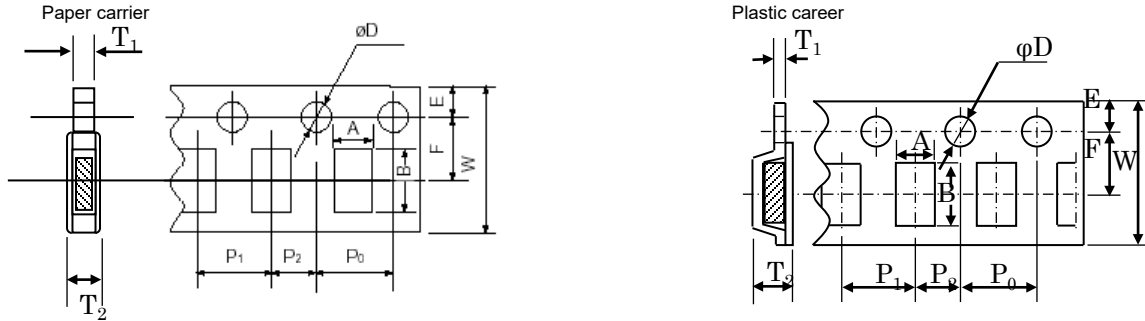


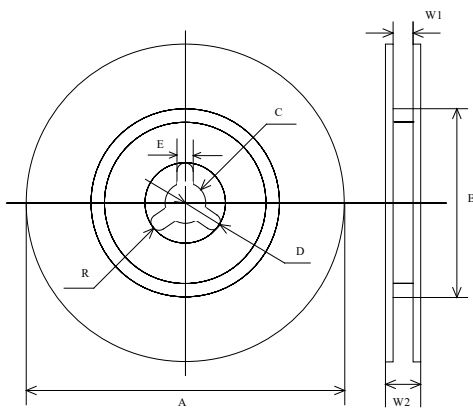
## Packaging Form Details

### Taping



Type	Carrier Tape	A	B	W	F	E	P <sub>1</sub>	P <sub>2</sub>	P <sub>0</sub>	D	T <sub>1</sub>	T <sub>2</sub>
		±0.1	±0.1	±0.3	±0.05	±0.1	±0.1	±0.1	±0.1	±0.1	-	-
10	Paper Carrier	1.1	1.9	8.0	3.5	1.75	4.0	2.0	4.0	φ1.5	1.1 Max	1.4 Max
20	Embossed Carrier	1.65	2.4	8.0	3.5	1.75	4.0	2.0	4.0	φ1.5	0.6 Max	1.5 Max
30		2.0	3.6	8.0	3.5	1.75	4.0	2.0	4.0	φ1.5	0.6 Max	1.5 Max
40		2.8	3.6	8.0	3.5	1.75	4.0	2.0	4.0	φ1.5	0.6 Max	2.0 Max
70-1		3.6	4.9	12.0	5.5	1.75	8.0	2.0	4.0	φ1.5	0.6 Max	3.7 Max
70-2		4.4	5.3	12.0	5.5	1.75	8.0	2.0	4.0	φ1.5	0.6 Max	3.8 Max
80		5.4	6.1	12.0	5.5	1.75	8.0	2.0	4.0	φ1.5	0.6 Max	5.0 Max

### Reel Size



Size	Unit [mm]	
	Type	
	10, 20, 30, 40	70, 80
A	φ178±2	φ178±2
B	≥φ50	≥φ50
C	φ13.0±0.5	φ13.0±0.5
D	10.5±0.4	10.5±0.4
E	2.0±0.5	2.0±0.5
W <sub>1</sub>	10±0.5	14±0.5
W <sub>2</sub>	14±0.5	18±0.5
R	1.0	1.0

### Standard Packaging Quantity (pcs/reel)

Type	CVG10	CVG20
T(mm)	0.8±0.2	1.25±0.2
Quantity	4,000	3,000

Type	CVG30		CVG40		CVG80
T(mm)	1.0±0.2	1.25±0.2	1.0±0.2	1.25±0.2	3.5max.
Quantity	3,000	2,000	3,000	2,000	500

Type	CVT70	CVT85
T(mm)	3.5max	4.5max
Quantity	500	250